

H-19s New

POLYURETHANE & POLYUREA SPRAY MACHINERY



H-19s New



POLYURETHANE & POLYUREA SPRAY MACHINERY



H19s NEW POLYURETHANE&POLYUREA SPRAY MACHINE	EUROPE -ASIA-AFRICA- AUSTRALIA	AMERICA
Max kw	16 (16.000 W) (20 kva)	16 (16.000 W) (20 kva)
Voltage	350-415	220-240
Phase	3 ØY	3ØΔ
Hz	50	60
Gen kw	22	22
Amp	31	31
Max Fluid Output (25°C Ambient Temp)	20 kg/min	20 kg/min
Max Fluid Working Pressure	1,5 MPa, 150 bar, 2175 Psi / 2.4 MPa, 2,45 MPa, 245 bar, 3553 Psi	1,5 MPa, 150 bar, 2175 Psi / 2.4 MPa, 2,45 MPa, 245 bar, 3553 Psi
Adjustable Fluid Pressure	30 bar - 150 bar	30 bar - 150 bar
Liquid Oil Pressure	72 bar	72 bar
Pre Heater	8 -16 kw	8 -16 kw
Hose Heater	4 kw	4 kw
Fluid Output (ISO)	16-1.5 metric	1/2 Unf
Fluid Output (POLY)	18-1.5 metric	9/16 Unf
Fluid Input (ISO)	(G) 3/4 (2.0 MPa, 20 bar) max.	(Npt) 3/4 (2.0 MPa, 20 bar) max.
Fluid Input (POLY)	(G) 3/4 (2.0 MPa, 20 bar) max.	(Npt) 3/4 (2.0 MPa, 20 bar) max.
Max Fluid Temp	90°C	90°C
Max Hose Length	120 mt	120 mt
Hydraulic Capacity	34 lt	34 lt
Weight	300 kg (300.000 gr.)	300 kg (300.000 gr.)
<i>Aluminum, stainless steel, zink-carbon steel, bronze, carbide, steel</i>		



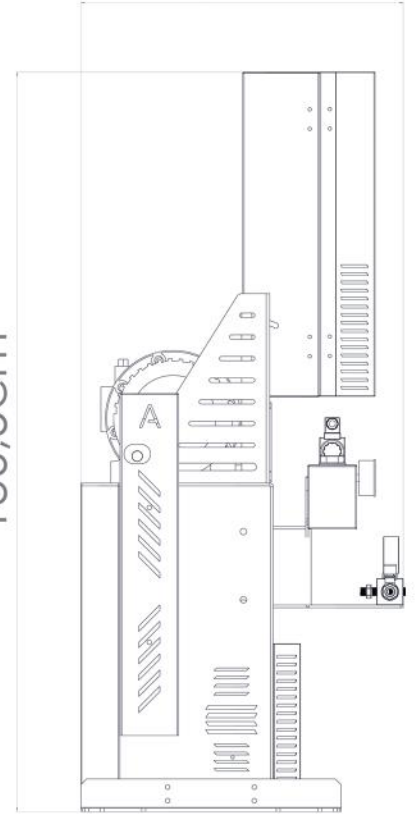
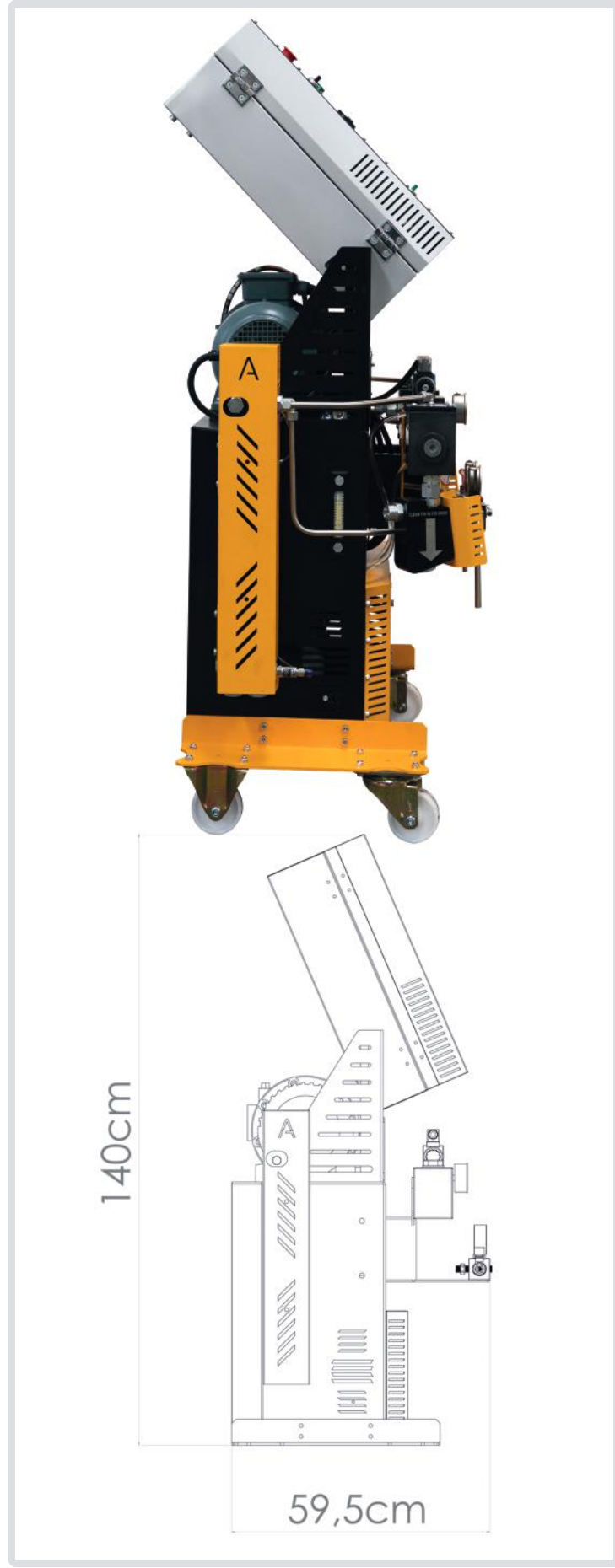
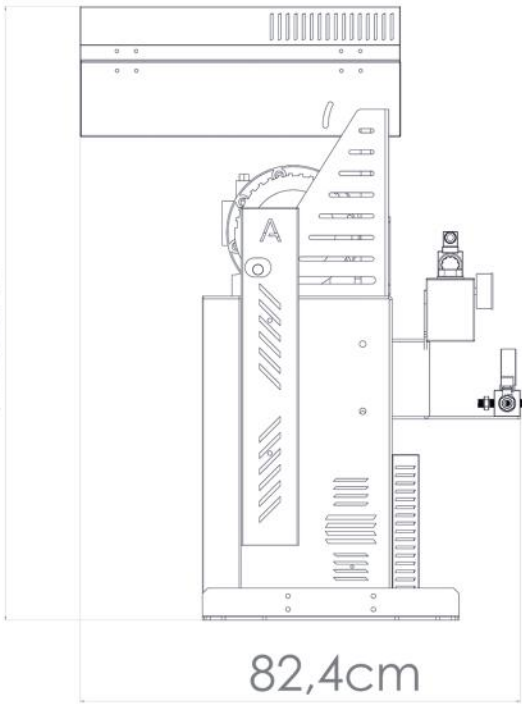
Every feature on our Polyurethane and Polyurea Spraying Systems designed to make your operations flawless. ATG, who always offers the reliability for your business, makes systems that you can count even on the max pressures for great results. Hydraulic control system with variable flow rate lets you feel the comfort of being able to make adjustment for each job site or each corner on the job.

▲ The 5th generation h-19 s is equipped with electronical and mechanical error warning systems and doesnt allow you to make product of poor quality.

Renewed frame is also adjustable. You can move the control box forth and back and it gives you the space you need.

- ▲ Provides better team management.
- ▲ Has set points to increase productivity.
- ▲ Minimizes malfunctions with advanced automation system.
- ▲ Has variable flow rates for every spraying options.
- ▲ More simple and more solid proportioner reduces maintenance requirement.
- ▲ Relieve valves lets you balance system pressures fast and easy.
- ▲ Best solution for the ones who are looking for economical and solid equipment.







Factory :

Organize Industry Area 18.Street
Number:38 KAYSERİ / TURKEY
P : +90.352 322 10 18
F : +90.352 322 10 19
e-mail : info@atgmakina.com

www.atgmakina.com
www.poliuretanmakinesi.com

